

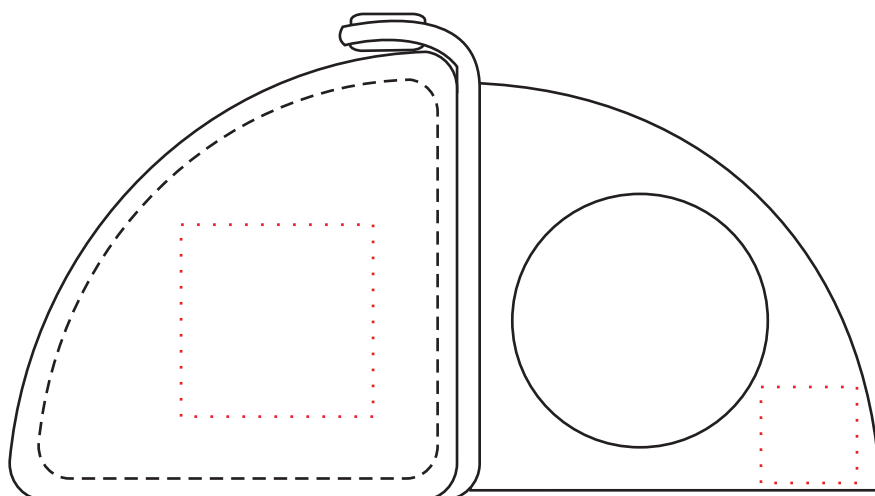
WORK ORDER # XXXXXXXXXX Date: X

# 122745 Travel Mate

Imprint area: 1W x 1H on case

Imprint area: .5W x .5H lasered on bottom right

Quantity: X



Dotted line shows imprint area and will not print.

This art proof shows the approximate size, color and placement of your imprint relative to the size of the item.