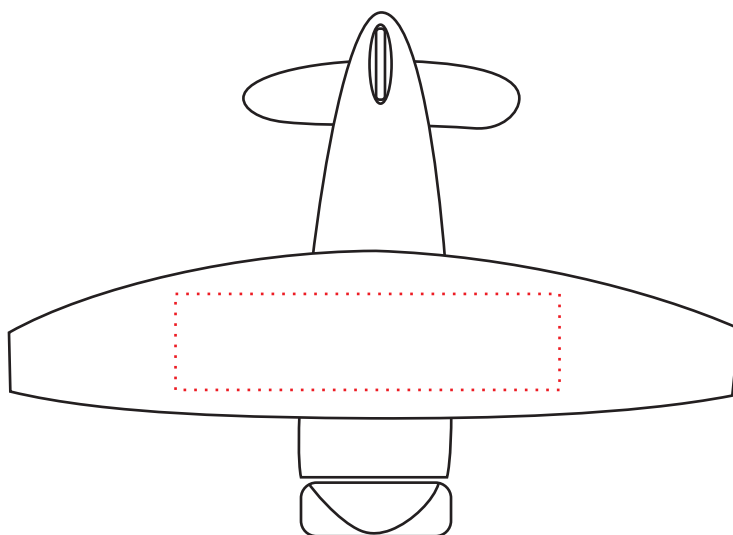


WORK ORDER # XXXXXXXXXX Date: X

810AP Wright Flyer

Imprint area: 2W x .5H

Quantity: X



Dotted line shows imprint area and will not print.

This art proof shows the approximate size, color and placement of your imprint relative to the size of the item.