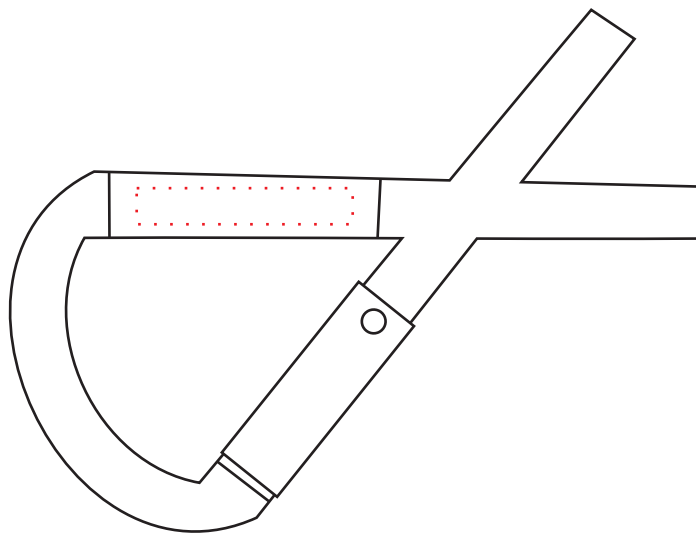


WORK ORDER # XXXXXXXXXX Date: X

CR13 Ribbon Carabiner

Imprint area: 1.125W x .188H

Quantity: X



Dotted line shows imprint area and will not print.

This art proof shows the approximate size, color and placement of your imprint relative to the size of the item.