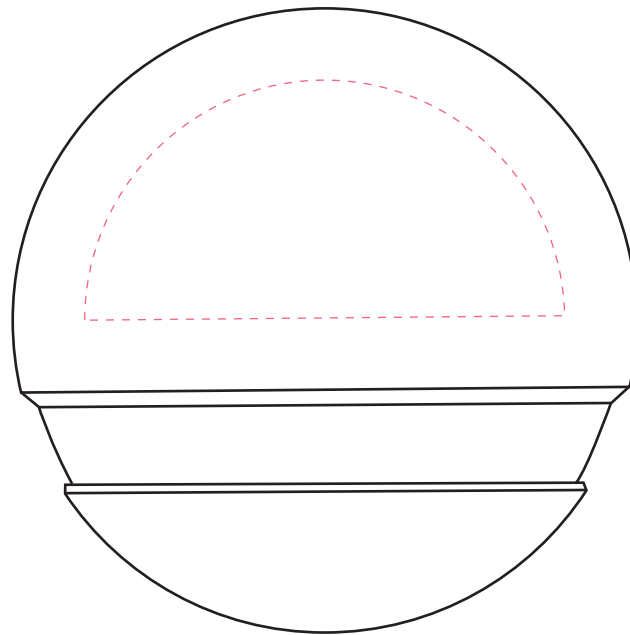


# IC7434

## Round Crystal Phone Stand Paperweight

Imprint Area: 1.25 x 2.5 (conformed to shape)



Dotted line shows imprint area and will not print.