

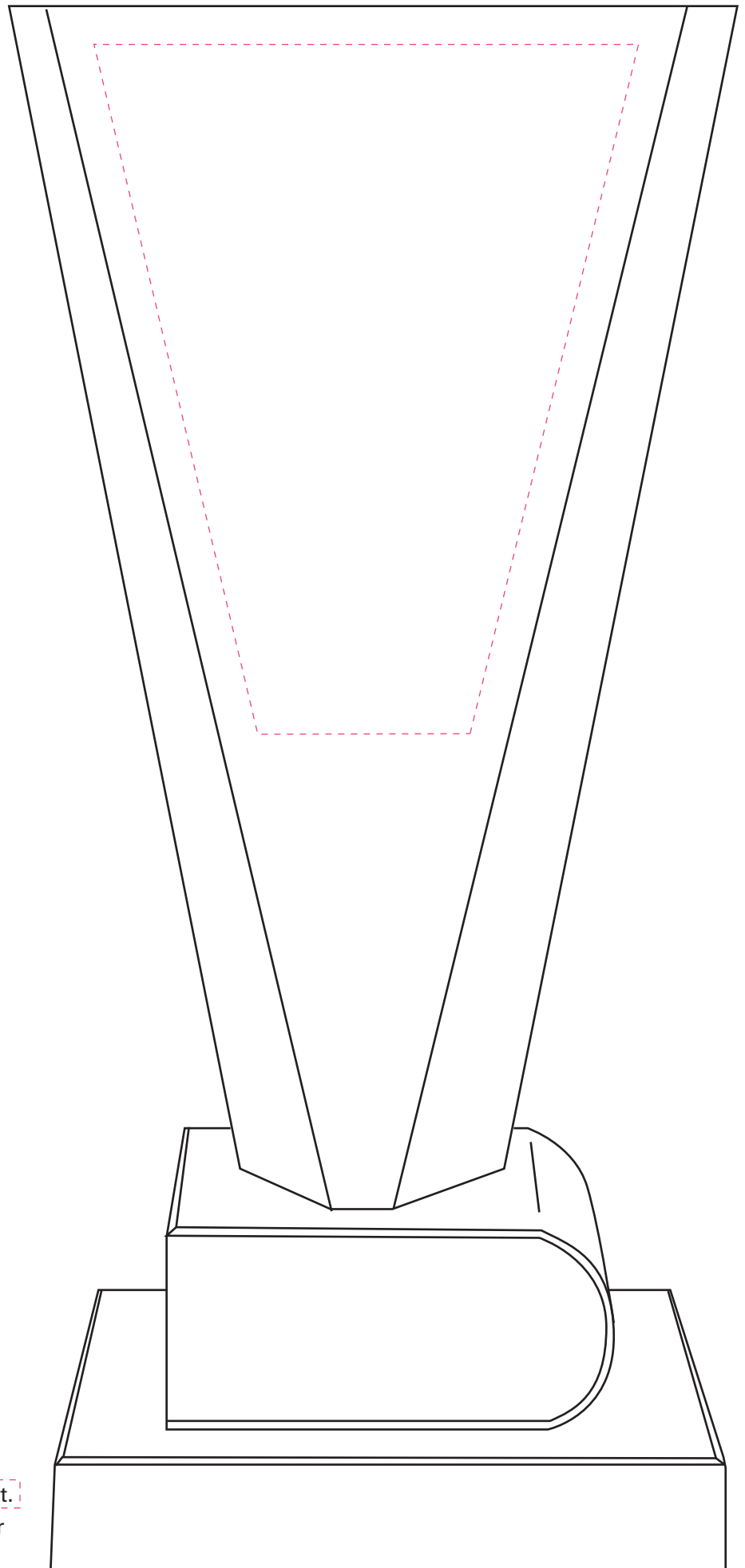
WO#:
DATE:

IC9520

Vindication

Imprint area: 3.5w to 1.375w x 4.5h

Quantity



Dotted line shows imprint area and will not print.

This art proof shows the approximate size, color and placement of the art imprint relative to the size of the item.