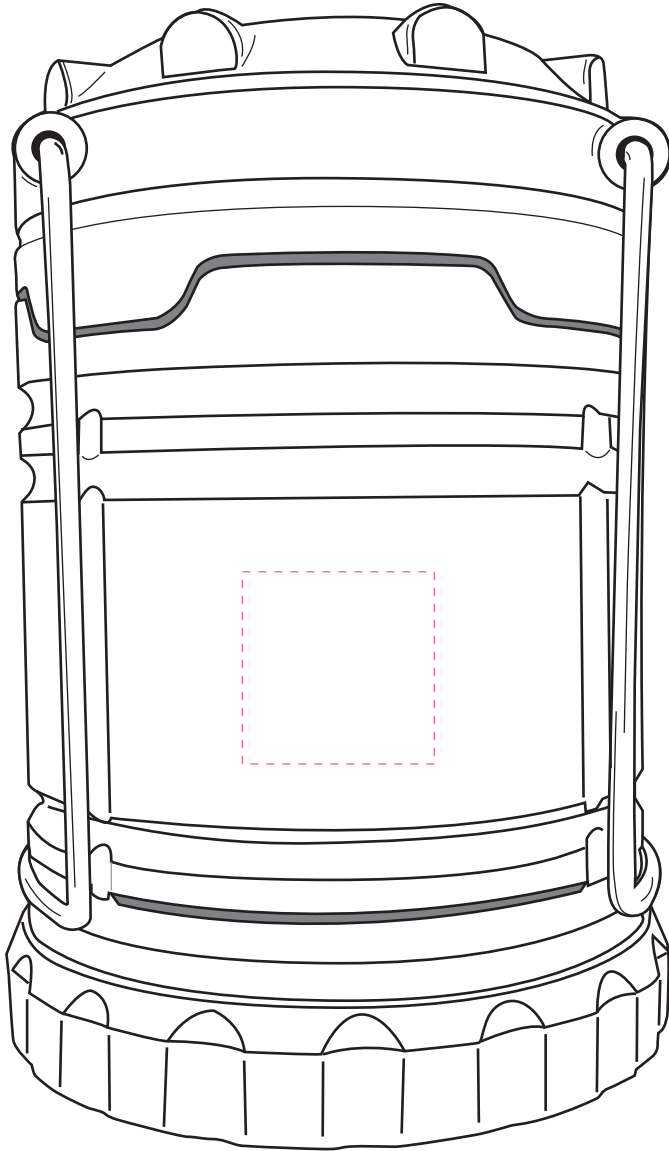


MFL50

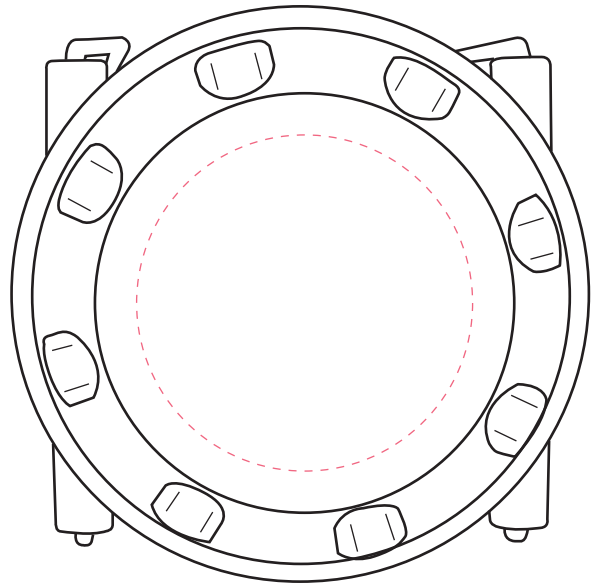
Retractable LED Lantern

Imprint Area: 1 x 1 (front 1 color)



Secondary Imprint on TOP
** MUST BE REQUESTED ON PO**

Imprint Area: 1 color and 4cp
1.75" diameter



Dotted line shows imprint area and will not print.

This art proof shows the approximate size, color and placement of the art imprint relative to the size of the item.