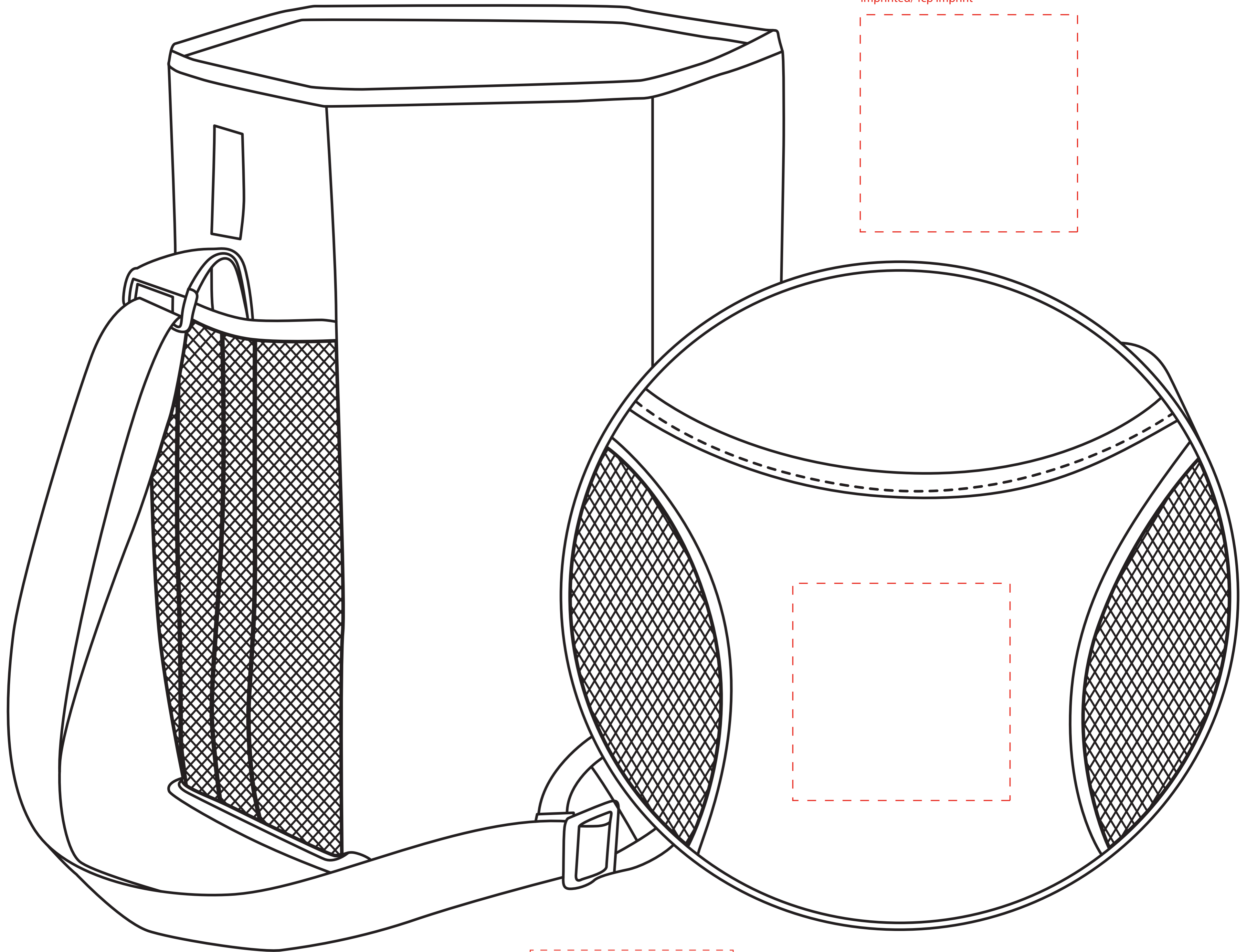


imprinted/4cp imprint



Dotted line shows imprint area and will not print.